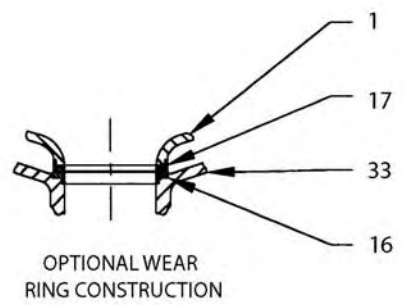
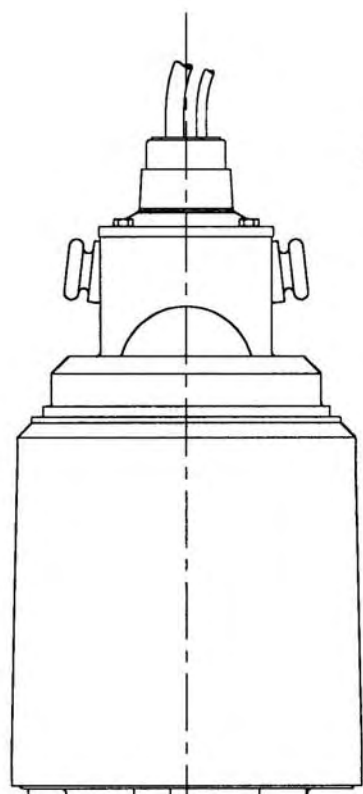
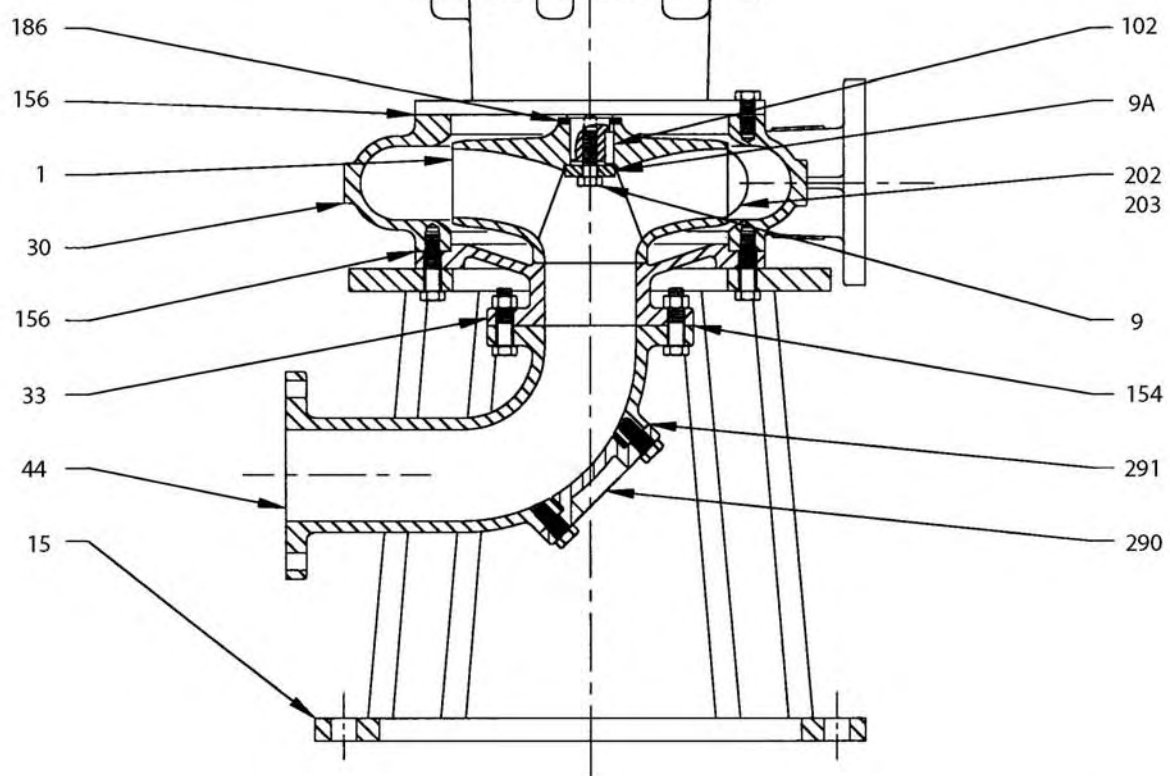


LIFTING BAIL STANDARD ON 440 FRAME MOTORS



OPTIONAL WEAR RING CONSTRUCTION



ASSEMBLY, D5439WD, SUBMERSIBLE
FAIRBANKS MORSE MOTOR



DWG NO 543WA009 REV NO 1